

GENUINE FRONT MUD FLAP

INSTALLATION INSTRUCTIONS

VEHICLE : MAZDA5
PART NUMBER : CC29 V3 450F

Thank you for purchasing a genuine MAZDA accessory.

Please read the contents of this booklet in order to properly install and use the front mud flap. Your safety depends on it.

Keep these instructions with your vehicle records for future reference.

【 ⚠ WARNING】

- There are several **⚠ WARNING** and **⚠ CAUTION** sections in this booklet concerning safety when installing or removing the front mud flap. Always read and follow them in order to prevent injuries, accidents, and possible damage to the vehicle.

⚠ WARNING: Indicates a situation in which serious injury or death could result if the warning is ignored.

⚠ CAUTION: Indicates a situation in which bodily injury or damage to the vehicle could result if the caution is ignored.

- Do not modify the front mud flap.
- Do not install the front mud flap in any way other than described in the following instructions.
- If in any doubt, please ask your MAZDA dealer to install the accessory in order to prevent errors in installation.
- If you have any questions about the use of the accessory, ask your MAZDA dealer for proper advice before using it.
- MAZDA and its suppliers are not responsible for injuries, accidents, and damage to persons and property that arise from the failure of the dealer or installer to follow these instructions.
- To ensure safety and reliability of the work, installation, removal and disposal work must be carried out by an Authorized MAZDA dealer shop.

NOTE

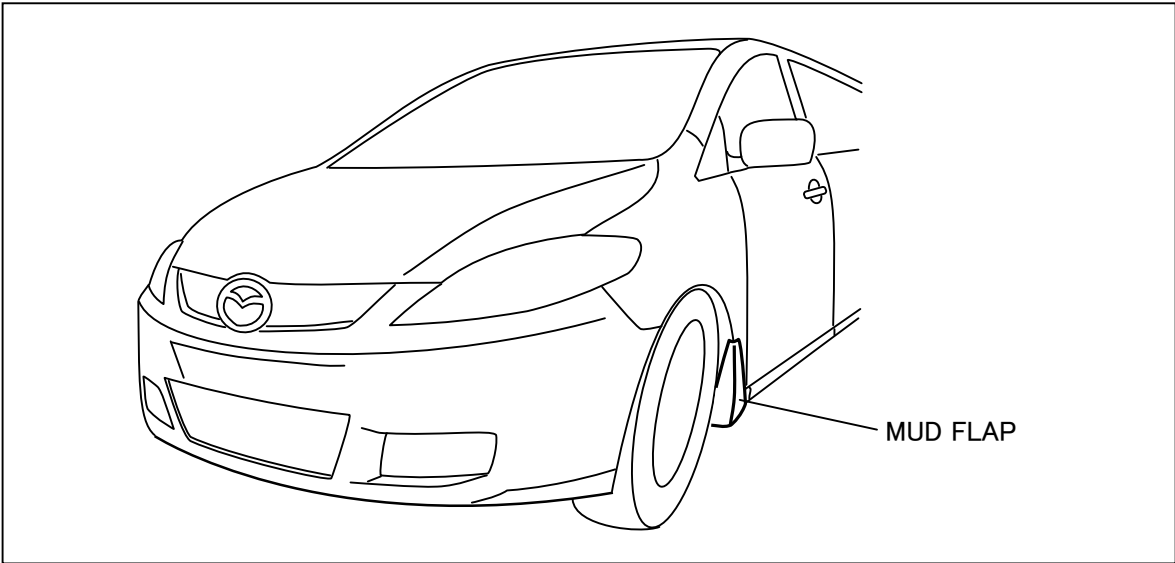
To the dealer

Please turn over these instructions to the customer after installation.

To the customer

- Keep these instructions after installation. The instructions may be necessary for installing other optional parts or removal of this accessory.
- Should the vehicle or this accessory be resold, always leave these instructions with it for the next owner.


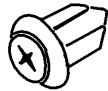
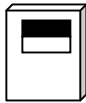
1. COMPLETED CHART



2. PARTS

NOTE

- Before installation, verify that the kit includes all the following parts and that parts are not dirty, scratched, or damaged.

No.	Part No.	Part Name	Fig.	Qty.
①	C236 V3 451/452	Front Mud Flap (RH/LH)		1
②	B092 51 833	Rivet		4
③	—	Installation Instructions		1

3. REQUIRED TOOLS

- ☆Phillips screwdriver (stubby)
- ☆Flathead screwdriver
- ☆Cutter knife

4. BEFORE INSTALLATION

⚠ WARNING

- Park the vehicle on a flat surface, shift position should be at "P" range, block the tires and set the parking brake firmly before performing work.

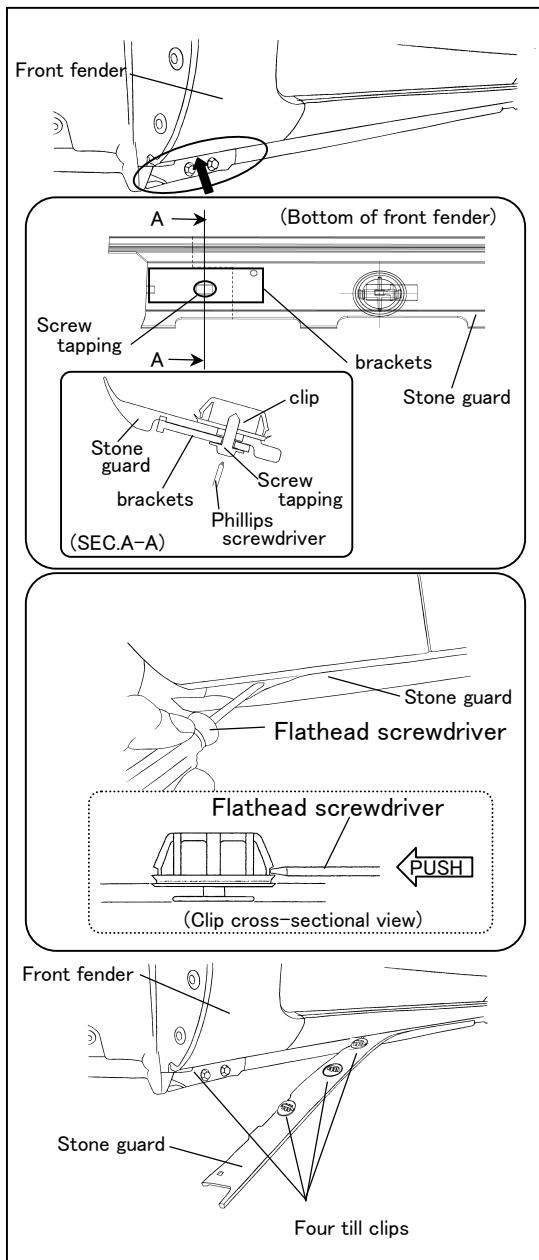
⚠ CAUTION

- Use the mat or protector when remove and install the vehicle parts. The body may be scratched or dirty.
- Removal parts and kit parts is placed on the protect sheet so that parts will not be scratched.

REFERENCE

- Refer to the Workshop Manual for removal and installation of vehicle parts.

5. PART REMOVAL



* Preparation before installation.

- Turn the steering wheel to full left lock.

⚠ NOTE

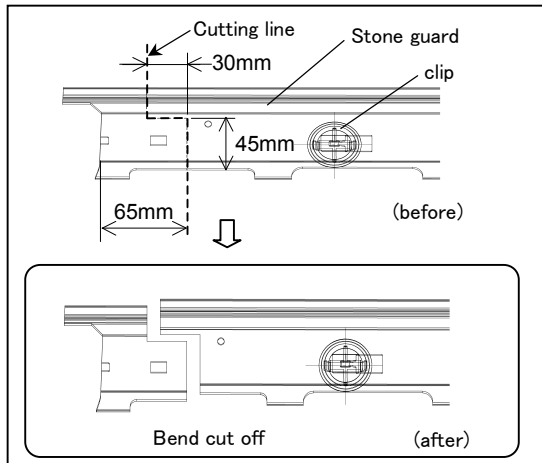
- When working on the right side, turn it to full right lock.

- 5-(1) Remove the brackets from the stone guard.
(Refer to the SEC.A-A)

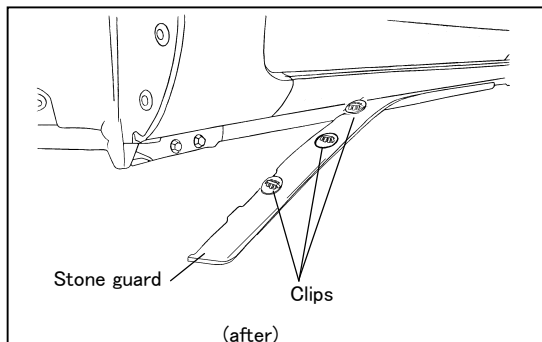
- 5-(2) Using a flathead screwdriver (see the cross-sectional view), remove the stone guard clips(4) starting from the front of the vehicle.

⚠ CAUTION

- When you remove the clips, remove them carefully and make sure that they are not damaged or lost.

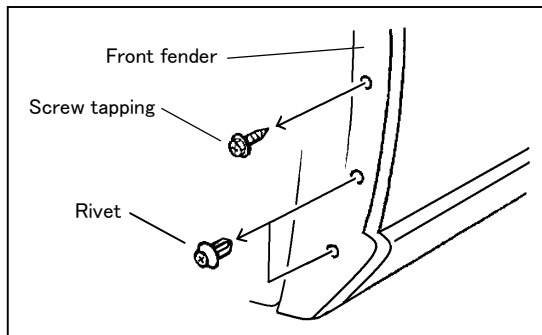


5-(3) Using a cutter knife or similar cutter, cut the stone guard at the position shown in the figure for vehicle which has the stone guard.



5-(4) Fit the clips (3) to the vehicle to place the stone guard (rear part) back into position.

6. INSTALLATION OF FRONT MUD FLAP

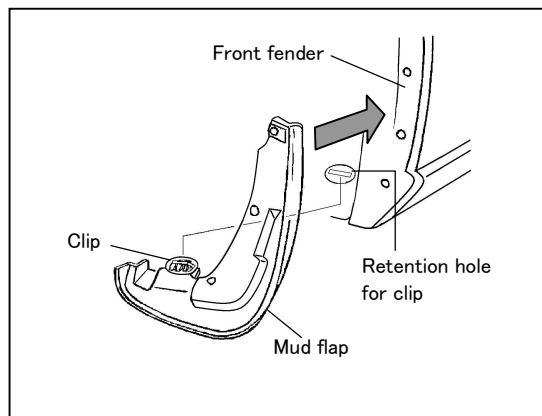


6-(1) Remove the screw tapping and two rivets.

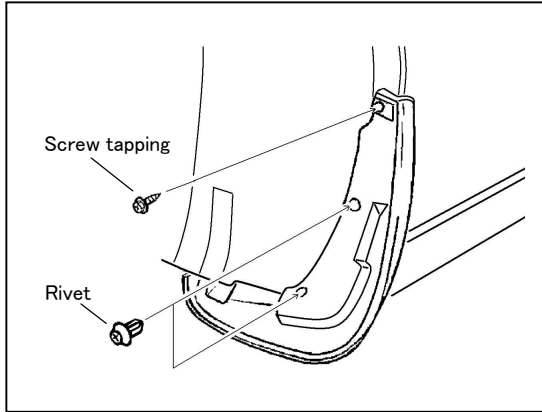


CAUTION

- Keep the removed screw tapping. This will be re-used later.



6-(2) Place the clip (bottom part of the flap) in the hole on the stone guard you removed at 5-(1) (Refer to the picture on the left). You will hear a clicking sound when it is installed correctly.



6-(3) Tighten the previously used screw tapping with a phillips screwdriver.

6-(4) Install two provided rivets.

【For Authorized Dealer】

INSTALLATION INSPECTION SHEET

MAZDA5	Front Mud Flap
	CC29 V3 450F

Inspection items after installation

Inspect the installed/reinstalled parts for the following items.

Inspection Parts	Inspection Items (○)		
	Clearance/Fit	Scratches/Dirt	Installation/Tightening
Front Mud Flap	○	○	○
Front Fender	○	○	○

Front Mud Flap Installation Inspection					
Date , ,					
VIN.					
Approved		Checked		Person In Charge	

※The term of validity for this sheet:3 months.